

newall

Newall Measurement Systems

LATHE KIT

600-65550

This kit includes the following items:

Cross Axis:

- Microsyn Single End Mount Kit (600-65340)
- Special Head Mounting Bracket
- Special Scale Cover

Bed Axis:

- Microsyn Scale Bracket Kit (600-65320)
- Special Head Mounting Brackets
- Special Display Stand

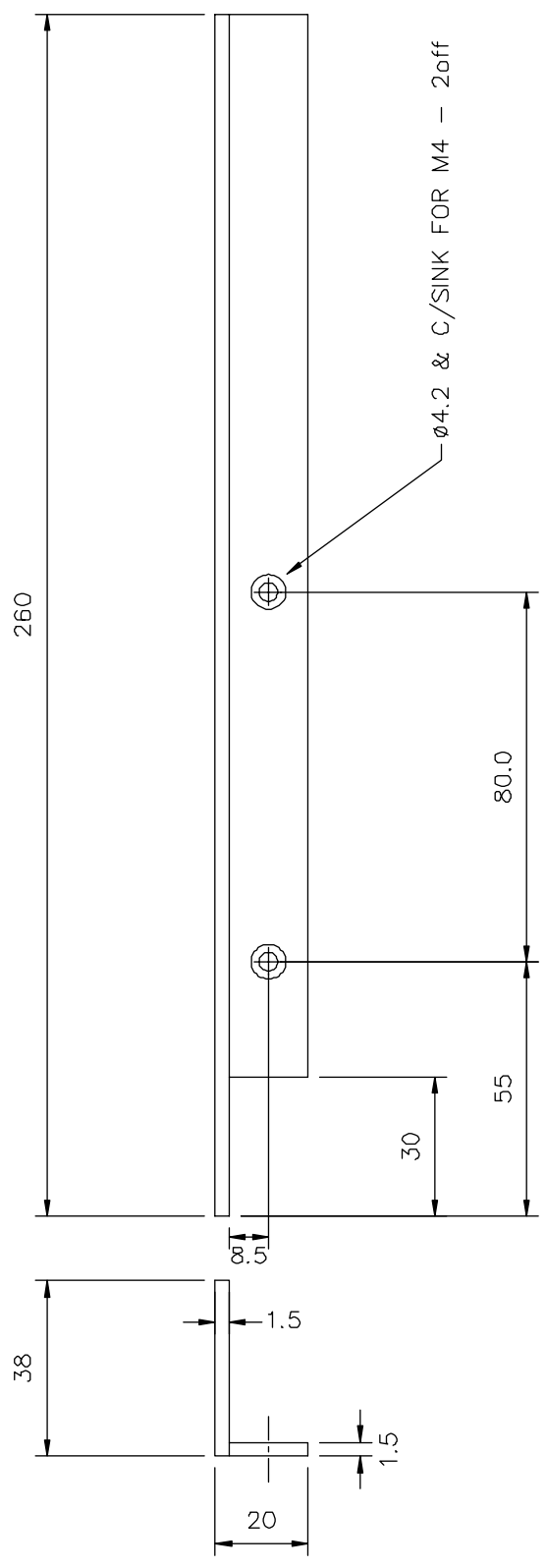
Drawings:

- 316-24610
- 294-36830
- 316-23190

HARDINGE / FEELER LATHE BRACKET KIT

DO NOT SCALE  THIRD ANGLE PROJECTION IF IN DOUBT ASK

294-36830 REV. 2
ISS.



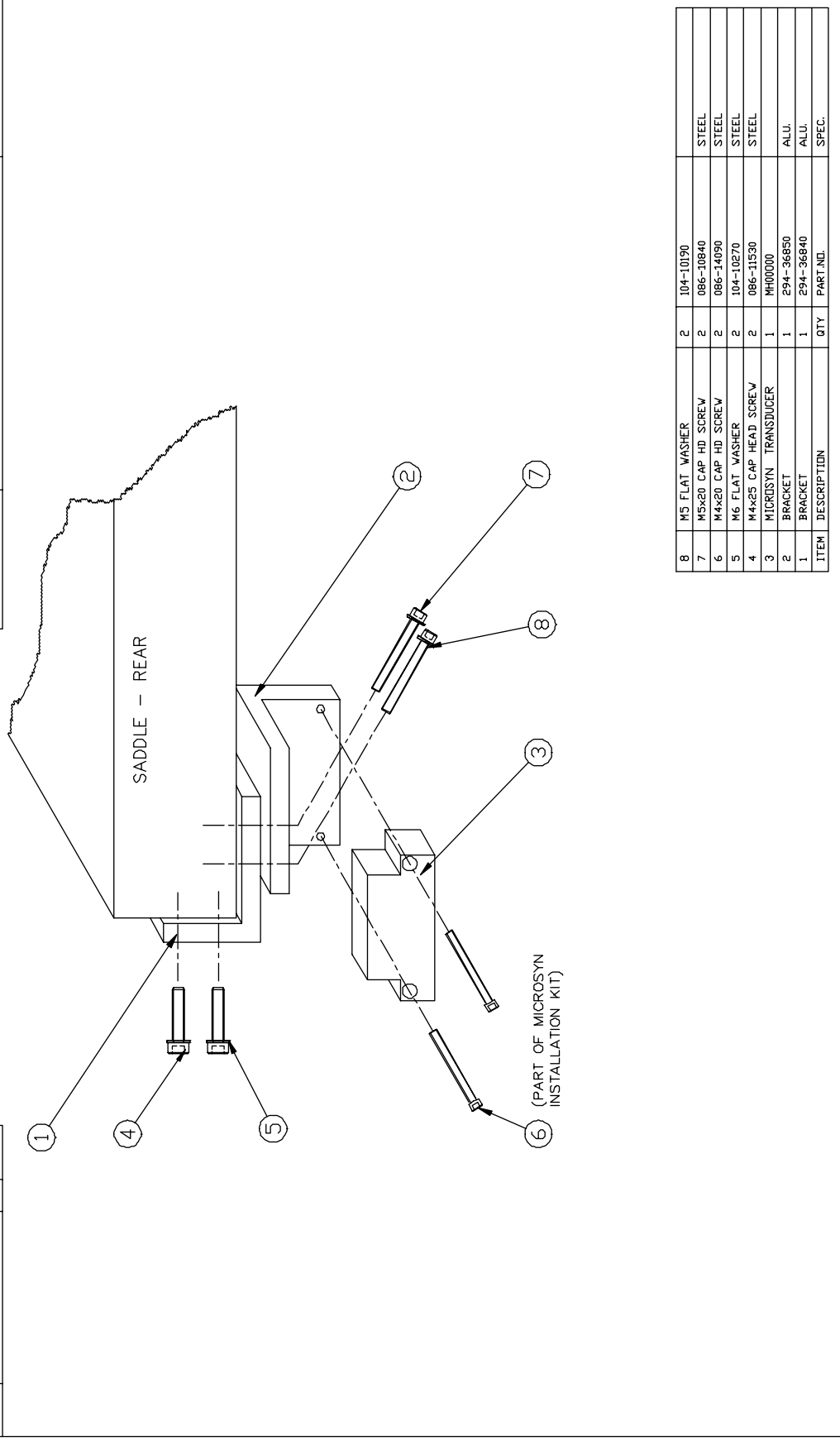
DISK 34

DRAWING NUMBER		294-36830		REV. 2		ISS.	
TITLE		COVER		MATERIAL/FINISH		BLACK ANODISED ALUMINIUM ANGLE	
DRAWN		J.J. DRIVER		BS 1615		AA25	
CHECKED				England		Leicester	
APPROVED				THIS DRAWING IS THE PROPERTY OF NEWALL RESURFACING SYSTEMS LIMITED. THE INFORMATION CONTAINED HEREIN IS NOT TO BE REPRODUCED OR USED IN ANY MANNER WITHOUT THE WRITTEN PERMISSION OF NEWALL RESURFACING SYSTEMS LIMITED.		SCALE 1=1	
REVISIONS		DATE		C.N.		UNLESS OTHERWISE STATED, - DIMENSIONS ARE IN M.M.	
1		27/3/97		E2609		TOLERANCES - 0 DECIMAL PLACES ±0.5	
2		12-02-11		ADDED NEWALL LOGO		1 DECIMAL PLACE ±0.2	
3				MATERIAL/FINISH DETAILS CHANGED		2 DECIMAL PLACES ±0.1	
4						ANGULAR ±1°	
5						SHEET/DRAWING 1 OF 1	
6						NUMBER 294-36830	
7						REV. 2	
8						ISS.	

DRAWING NUMBER 316-23190

DO NOT SCALE THIRD ANGLE PROJECTION IF IN DOUBT ASK

REV. ISS. 1



ITEM	DESCRIPTION	QTY	PART NO.	MATERIAL/FINISH
8	M5 FLAT WASHER	2	104-10190	
7	M5x20 CAP HD. SCREW	2	086-10840	STEEL
6	M4x20 CAP HD. SCREW	2	086-14090	STEEL
5	M6 FLAT WASHER	2	104-10270	STEEL
4	M4x25 CAP HEAD SCREW	2	086-11530	STEEL
3	MICROSYN TRANSDUCER	1	MH00000	
2	BRACKET	1	294-36850	ALU.
1	BRACKET	1	294-36840	ALU.
				SPEC.

SCALE	TOLERANCES - UNLESS OTHERWISE STATED: -
nts	0 DECIMAL PLACES ±0.5
	1 DECIMAL PLACE ±0.2
	2 DECIMAL PLACES ±0.1
	ANGULAR ±1'

SHEET DRAWING	NUMBER	REV.	ISS.
1 of 1	316-23190	1	1

TITLE: INSTALLATION DETAILS
 MATERIAL/FINISH: _____
 BED AXIS
 FEELER/HARDING LATHE
 DRAWN: J. DRIVER 25-10-96
 CHECKED: _____
 APPROVED: _____
 LEICESTER
newall England
 THIS DRAWING IS THE PROPERTY OF NEWALL MEASUREMENT SYSTEMS LIMITED. THE INFORMATION HEREON MAY NOT BE COPIED OR USED WITHOUT WRITTEN PERMISSION.

REV. ISS.	DATE	DESCRIPTION
1	02-03-01	ADDED NEWALL LOGO
		C.N. NEWALL ALTERATION

NEWALL MEASUREMENT SYSTEMS

Technology Gateway . Cornwall Road . South Wigston
Leicester . LE18 4XH . England

Tel: (+44) 0116 264 2730 . Fax: (+44) 0116 264 2731

E-mail: sales@newall.co.uk

NEWALL FRANCE SARL

63 Rue Victor Hugo . F-59200 . Tourcoing . France

Tel: 03 20 01 03 13 . Fax: 03 20 26 13 41

E-mail: france@newall.co.uk

NEWALL ELECTRONICS INC

1778 Dividend Drive . Columbus . Ohio . 43228. USA

Tel: (+1) 614 771 0213 . Fax: (+1) 614 771 0219

E-mail: sales@newallusa.com

Website: www.newall.com