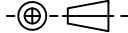
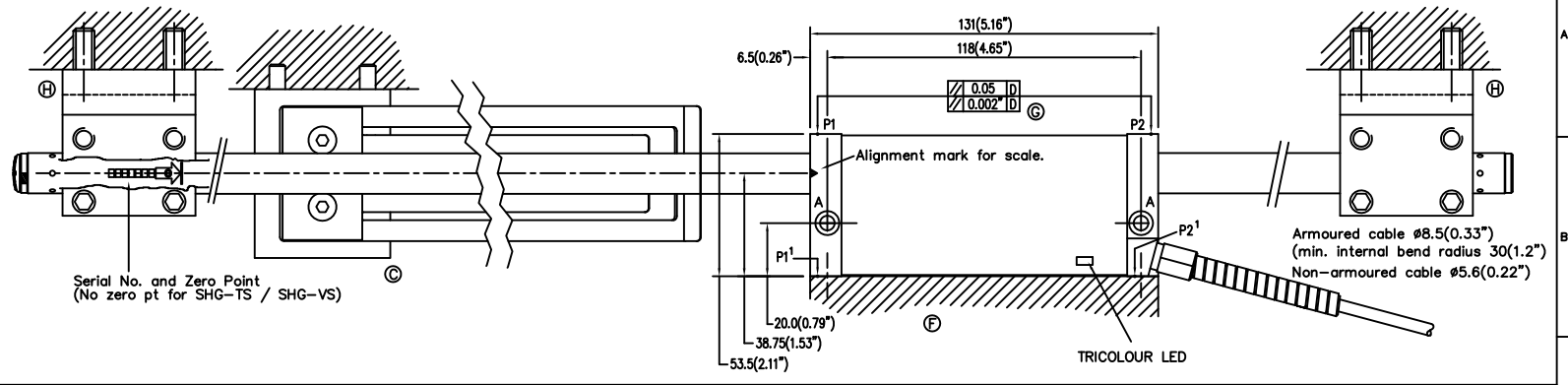
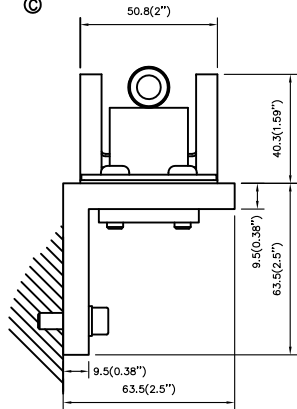


DRAWING NUMBER 316-81654 REV. ISS. 2

DO NOT SCALE  THIRD ANGLE PROJECTION IF IN DOUBT ASK

Spring support.

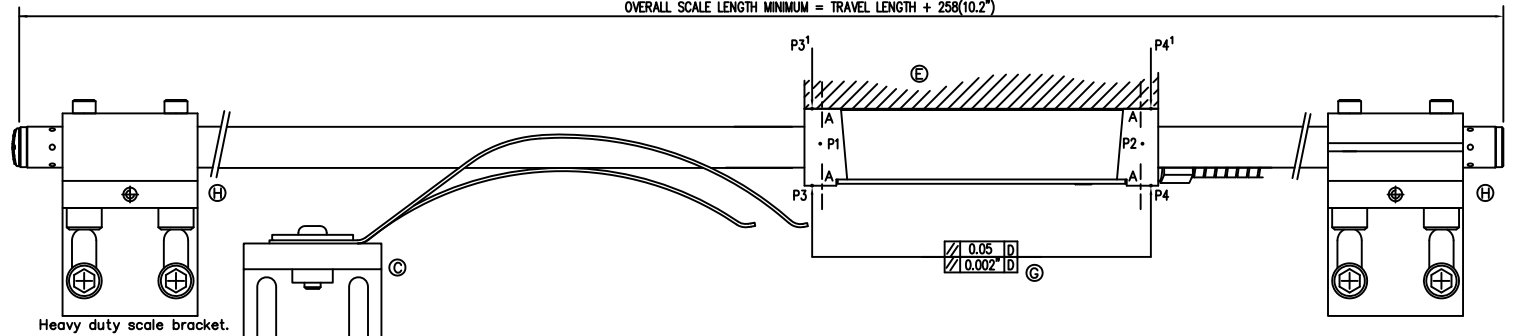


Serial No. and Zero Point
(No zero pt for SHG-TS / SHG-VS)

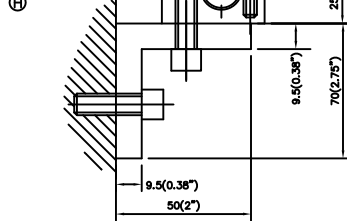
Armoured cable $\varnothing 8.5(0.33\"$
(min. internal bend radius 30(1.2\"
Non-armoured cable $\varnothing 5.6(0.22\"$)

TRICOLOUR LED

OVERALL SCALE LENGTH MINIMUM = TRAVEL LENGTH + 258(10.2")

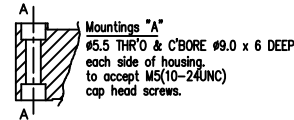


Heavy duty scale bracket.



Heavy duty scale bracket.

Spring support.



Mountings "A"
 $\varnothing 5.5$ THRO & C'BORE $\varnothing 9.0 \times 6$ DEEP
each side of housing.
to accept M5(10-24UNC)
cap head screws.

DIMENSIONS - mm (ins")

SPRING SUPPORTS ARE INTENDED FOR USE WHERE THE READER HEAD IS MOVING AND THE SCALE TUBE IS STATIONARY.
REFER TO INSTALLATION MANUAL FOR RECOMMENDED NUMBER AND POSITONAL DETAILS OF SPRING SUPPORTS

FOR FURTHER INFORMATION REFER TO INSTALLATION MANUAL

2		27-7-11	ECN9185	SPRING SUPPORT CHANGED, WHITE SCREW REPLACED WITH RED END CAP. RICK HARVEY. DPO		TITLE		DIMENSIONAL DETAILS for		MATERIAL/ FINISH		SCALE		UNLESS OTHERWISE		TOLERANCES: - 0 DECIMAL PLACES ± 0.05		
1		29-9-06	ECN8743	DIMENSIONAL CHANGE 28.5 WAS 28.0 (width). RICK HARVEY. JFD		DRAWN		J.DRIVER		24-1-05		ON A1)		STATED :-		1 DECIMAL PLACE ± 0.2		
REV. ISS.		DATE	C.N.No.	ALTERATION	REV. ISS.	DATE	C.N.No.	ALTERATION	CHECKED		APPROVED		SHEET		DRAWING		REV. ISS.	
1					1				Leicester		NEWALL		1 OF 1		NUMBER		316-81654	
									England				1 OF 1		NUMBER		316-81654	
													1 OF 1		NUMBER		316-81654	
													1 OF 1		NUMBER		316-81654	