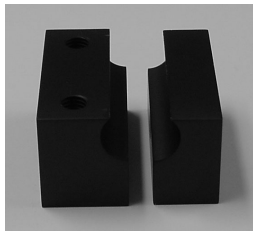


# NEWALL

## Kit Contents Planer Mill Bracket Kit Part # FX00PMBR

Spherosyn scale mounting kit for scales over 100" of travel. This kit is intended for installations where the scale is moving and the Reader Head is stationary. Reader Head bracket kits sold separately.

### Kit # 600-80150



294-23170  
Split Scale Support  
Clamp (2)



ED-3133  
Angle (2)



M8 x 40 Cap Head Screw (4)  
M6 x 35 Cap Head Screw (2)  
M8 Washer (4)

### Kit # 600-80160



ED-2768-01  
Angle bracket (1)



294-80470  
Heavy Duty Angle  
Bracket with Teflon  
Pad (1)



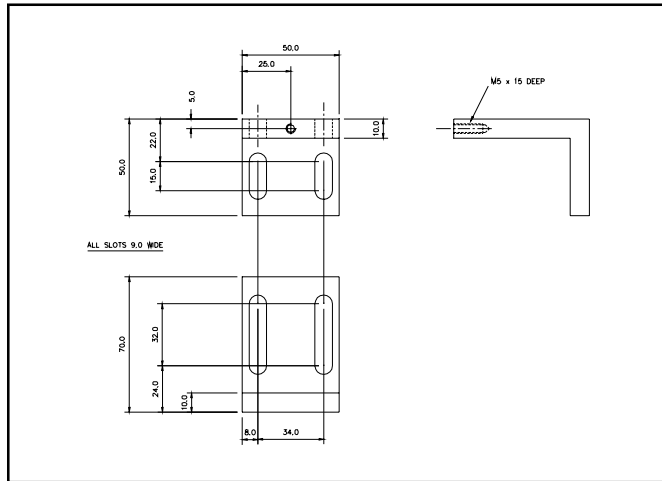
M6 x 20 Cap Head Screw (2)  
M6 Washer (2)

*Some modification of bracketry may be necessary during installation.*

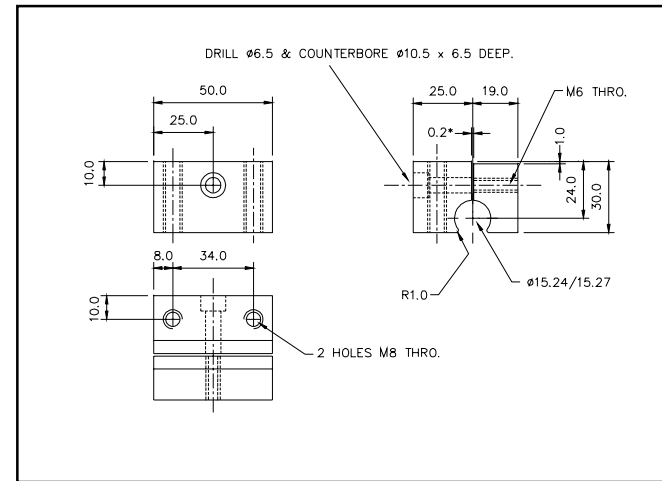
# NEWALL

## Bracket Drawings Planer Mill Bracket Kit Part # FX00PMBR

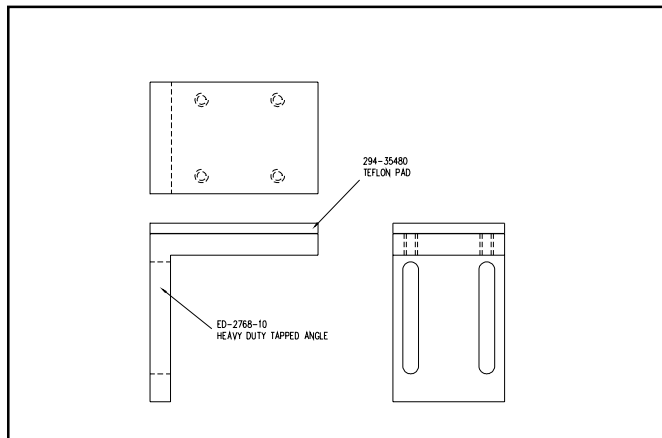
ED-3133



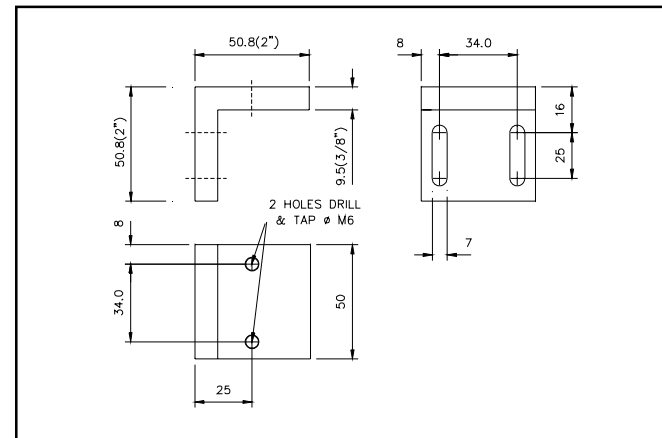
294-23170



294-80470



ED-2768-01



# NEWALL

## Assembly Drawing Planer Mill Bracket Kit Part # FX00PMBR

