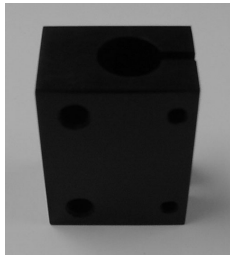


NEWALL

Kit Contents Heavy Duty Bracket Kit for SHG Series Scales Part # FX0DHDBR

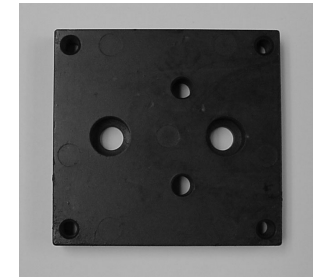
SHG Series scale mounting kit for scales over 100" of travel.
Reader Head bracket kits sold separately.



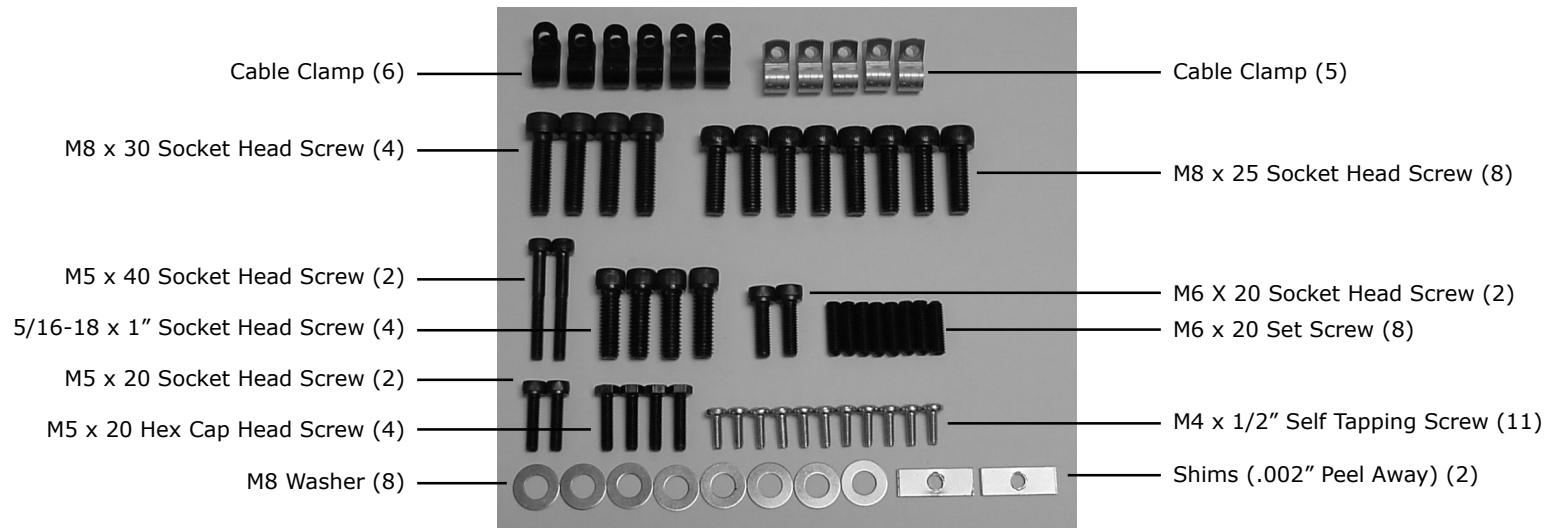
ED-3132
Scale Clamp (2)



ED-3133
Angle (2)

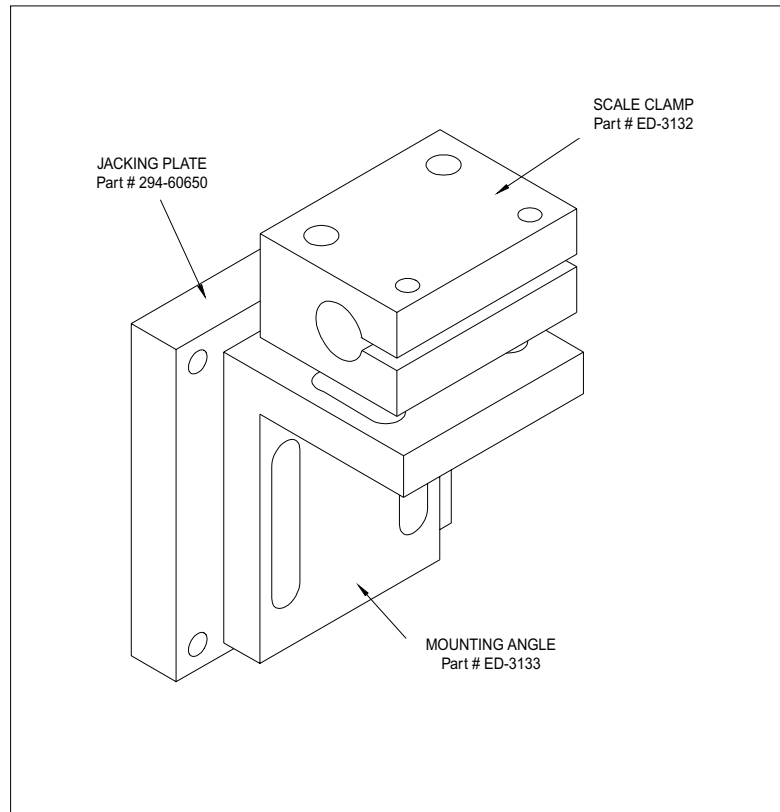


294-60650
Jacking Plate (2)



NEWALL

Assembly Drawing Heavy Duty Bracket Kit for SHG Series Scales Part # FX0DHDBR



NEWALL

Installation Drawing Heavy Duty Bracket Kit for SHG Series Scales Part # FX0DHDBR

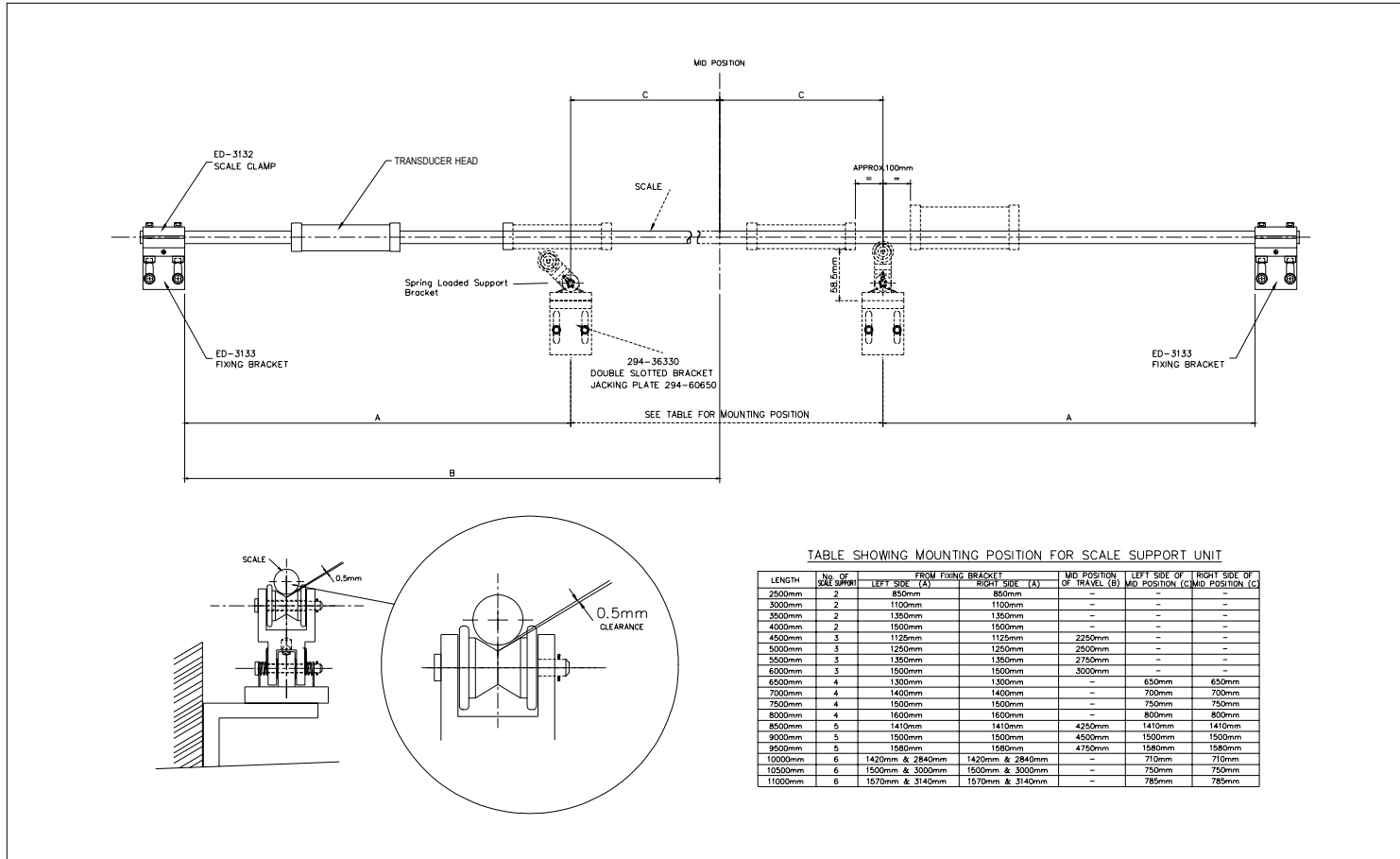


TABLE SHOWING MOUNTING POSITION FOR SCALE SUPPORT UNIT

LENGTH	No. OF SCALE SUPPORT	FROM FIXING BRACKET		MID POSITION OF TRAVEL (B)	LEFT SIDE OF MID POSITION (C)	RIGHT SIDE OF MID POSITION (C)
		LEFT SIDE (A)	RIGHT SIDE (A)			
2500mm	2	850mm	850mm	-	-	-
3000mm	2	1100mm	1100mm	-	-	-
3500mm	2	1350mm	1350mm	-	-	-
4000mm	2	1500mm	1500mm	-	-	-
4500mm	3	1125mm	1125mm	2250mm	-	-
5000mm	3	1250mm	1250mm	2500mm	-	-
5500mm	3	1350mm	1350mm	2750mm	-	-
6000mm	3	1500mm	1500mm	3000mm	-	-
6500mm	4	1300mm	1300mm	-	650mm	650mm
7000mm	4	1400mm	1400mm	-	700mm	700mm
7500mm	4	1500mm	1500mm	-	750mm	750mm
8000mm	4	1600mm	1600mm	-	800mm	800mm
8500mm	5	1400mm	1400mm	4250mm	1410mm	1410mm
9000mm	5	1500mm	1500mm	4500mm	1500mm	1500mm
9500mm	5	1580mm	1580mm	4750mm	1580mm	1580mm
10000mm	6	1420mm & 2840mm	1420mm & 2840mm	-	710mm	710mm
10500mm	6	1500mm & 3000mm	1500mm & 3000mm	-	750mm	750mm
11000mm	6	1570mm & 3140mm	1570mm & 3140mm	-	785mm	785mm