

NEWALL

Kit Contents Knee Bracket Kit 1 - Metric Part No: KBK01-M

This Kit Mounts One Spherosyn/DSG/SHG Reader Head.



ED-2768/10
Angle 3X3" (1)



ED-2768/4
Flat Plate (1)



294-22520
Angle 2.5x2.5" (1)



M6 X 30 Cap Head Screw (4)

M6 x 20 Cap
Head Screw (2)

M6 Washer (8)


Cable Tie (10)

M5 x 20 Cap Head Screw (2)

M5 x 30 Cap
Head Screw (2)

M6 nut (2)

note: some modification of brackets
may be necessary during installation.

				TITLE. <i>KIT CONTENTS KBK01-M</i>		MATERIAL/FINISH. -----		SCALE N/A	UNLESS OTHERWISE STATED: -	TOLERANCES: - 0 DECIMAL PLACES ±0.5 1 DECIMAL PLACE ±0.2 2 DECIMAL PLACES ±0.1 ANGULAR ±1'			
1	08/04/15	9451	MISC CHANGES TO METRIC	CWH	DRAWN C. WHITMORE	08-01-14	 Leicester England		SHEET 1 OF 2	DRAWING NUMBER	023-81870	REV. ISS.	1
REV. ISS.	DATE	C.N.No.	ALTERATION	CHECKED	APPROVED	THIS DRAWING IS THE PROPERTY OF NEWALL MEASUREMENT SYSTEMS LIMITED. THE INFORMATION THEREON MAY NOT BE COPIED OR USED WITHOUT WRITTEN PERMISSION							

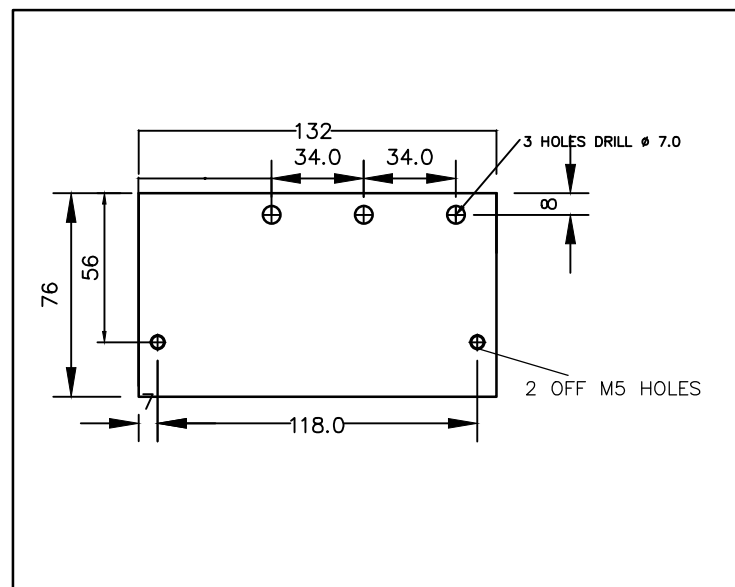
DRAWING NUMBER 023-81870 REV. ISS. 1

DO NOT SCALE -  THIRD ANGLE PROJECTION IF IN DOUBT ASK

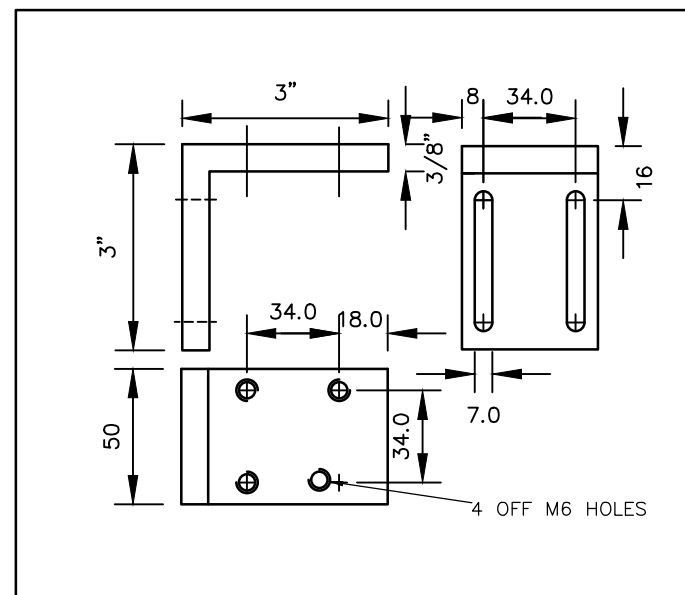
NEWALL

Kit Contents Knee Bracket Kit 1 - Metric Part No: KBK01-M

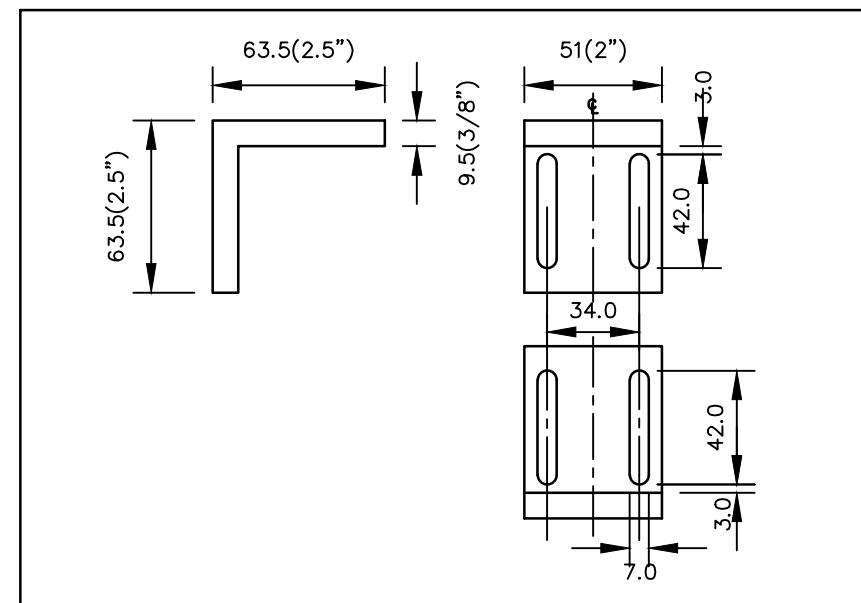
ED-2768/4 Flat Plate (1)



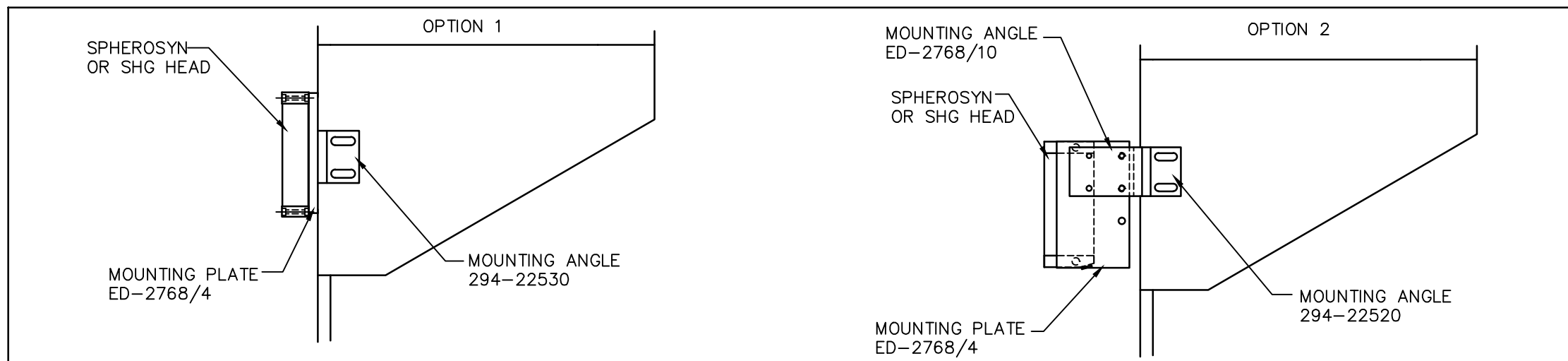
294-22520 Angle 2.5"x2.5" (1)




ED-2768/10 Angle 3X3" (1)



Installation Drawing



1		08/04/15	9451	MISC CHANGES TO METRIC	CWH	TITLE: <i>KIT CONTENTS KBK01-M</i>		MATERIAL/FINISH: -----		SCALE: N/A	UNLESS OTHERWISE STATED: -		TOLERANCES: - 0 DECIMAL PLACES ±0.5 1 DECIMAL PLACE ±0.2 2 DECIMAL PLACES ±0.1 ANGULAR ±1'	
REV. ISS.	DATE	C.N.No.	ALTERATION	DRAWN	C. WHITMORE	08-01-14	 Leicester England		SHEET 2 OF 2 DRAWING NUMBER 023-81870		REV. ISS.	1		
THIS DRAWING IS THE PROPERTY OF NEWALL MEASUREMENT SYSTEMS LIMITED. THE INFORMATION THEREON MAY NOT BE COPIED OR USED WITHOUT WRITTEN PERMISSION.														