

**HEAD OFFICE**  
**Newall Measurement Systems Ltd.**  
 Technology Gateway, Cornwall Road  
 South Wigston  
 Leicester LE18 4XH  
 United Kingdom  
 Telephone: +44 (0)116 264 2730  
 Facsimile: +44 (0)116 264 2731  
 Email: sales@newall.co.uk  
 Web: http://newall.com

**Newall Electronics, Inc.**  
 1778 Dividend Drive  
 Columbus, OH 43228  
 Telephone: +1 614 771 0213  
 Toll Free: 800.229.4376  
 Facsimile: +1 614 771 0219  
 Email: sales@newall.com  
 Web: http://newall.com



023-81340/0

A full hard copy of the manual is available free of charge on request

# NEWALL E70 Quick Start up Guide

For the complete manual please download from:  
<http://newall.com> , Click technical Support to access the download page.

## ⚠ Warnings

The mains supply is connected through a detachable supply cord supplied. If another supply cord is used, it must have fitted a IEC320, 10A, EARTHED mains connector with a cord rated for at least 10A.

The PROTECTIVE EARTH CIRCUIT of the mains supply MUST BE CONNECTED to the protective earth terminal of the cabinet through the supply cord.

If a mains plug is not already fitted to the supply cord or is of the wrong type, then a suitable EARTHED plug should be used which complies with the relevant specifications for plugs and socket-outlets.

The mains supply fuse is a 20x5mm, type T0 .5A, 250v, Disconnect mains before replacing fuse.

The mains supply must be removed before opening the unit and completed by qualified personnel.

## Technical Specification

### Environmental

**Operating Temperature**  
0 to 45°C

**Storage Temperature**  
-20 to 60°C

**Environmental Conditions** - indoor use, IP20 (IEC 529)

**Relative Humidity** - maximum 80% for temperature up to 31°C decreasing linearly to 33% at 45°C

**Transient overvoltage** according to INSTALLATION CATEGORY II of IEC664

Pollution Degree 2 in accordance with IEC664

### Disposal

At the end of its life, you should dispose of the E70 in a safe manner applicable to electronic goods.

The case work is suitable for recycling. Please consult local regulations on disposal.

Note: Newall Measurements Systems reserves the right to change specifications without notice.

### Electrical

#### EMC and Low Voltage Compliance

BS EN 61000-6-4:2001  
 BS EN 61000-6-2:2001  
 BS EN 61010-1:2001

#### Operating Voltage

100 - 240V

#### Supply Voltage Fluctuation

not to exceed 10% of operating voltage

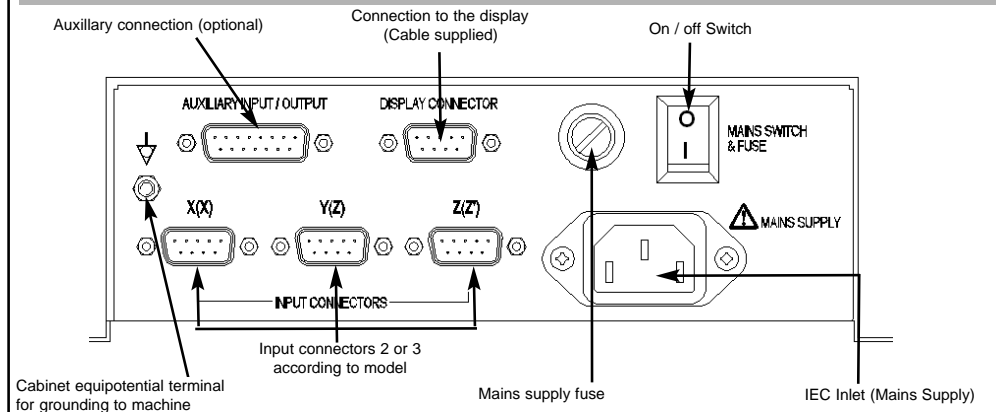
#### Supply Frequency

50 to 60Hz

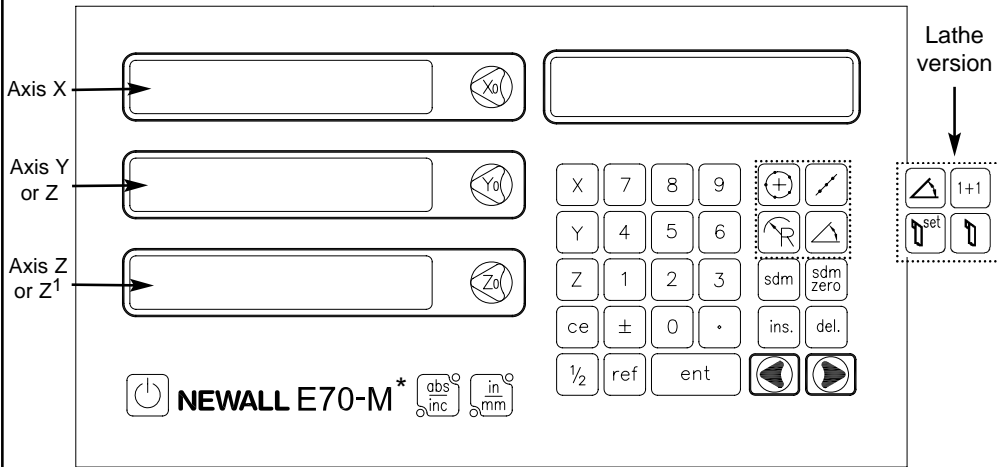
#### Maximum Power Consumption

18VA

## DSU Connections



## Understanding the Keypad



\*For the lathe variant E70-L will be shown

- |  |  |  |                       |
|--|--|--|-----------------------|
|  | Zero axis (reset)                                |  | Clear numeric entry   |
|  | Axis selection key                               |  | Centre find*          |
|  | Numeric keys                                     |  | Enter key             |
|  | Switches between absolute and incremental modes* |  | Digifind / reference* |
|  | Switches between inch and mm display*            |  | SDM                   |
|  |  |  | Insert and Delete     |
|  |  |  | Arrows                |
|  |  |  | Power                 |

### Mill Option Keys

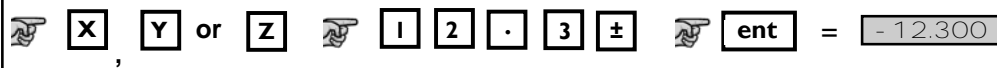
- PCD function
- Line hole function
- ARC function
- Polar coordinates

### Lathe Option Keys

- Taper function
- Tool use
- Tool set
- summing / vectoring

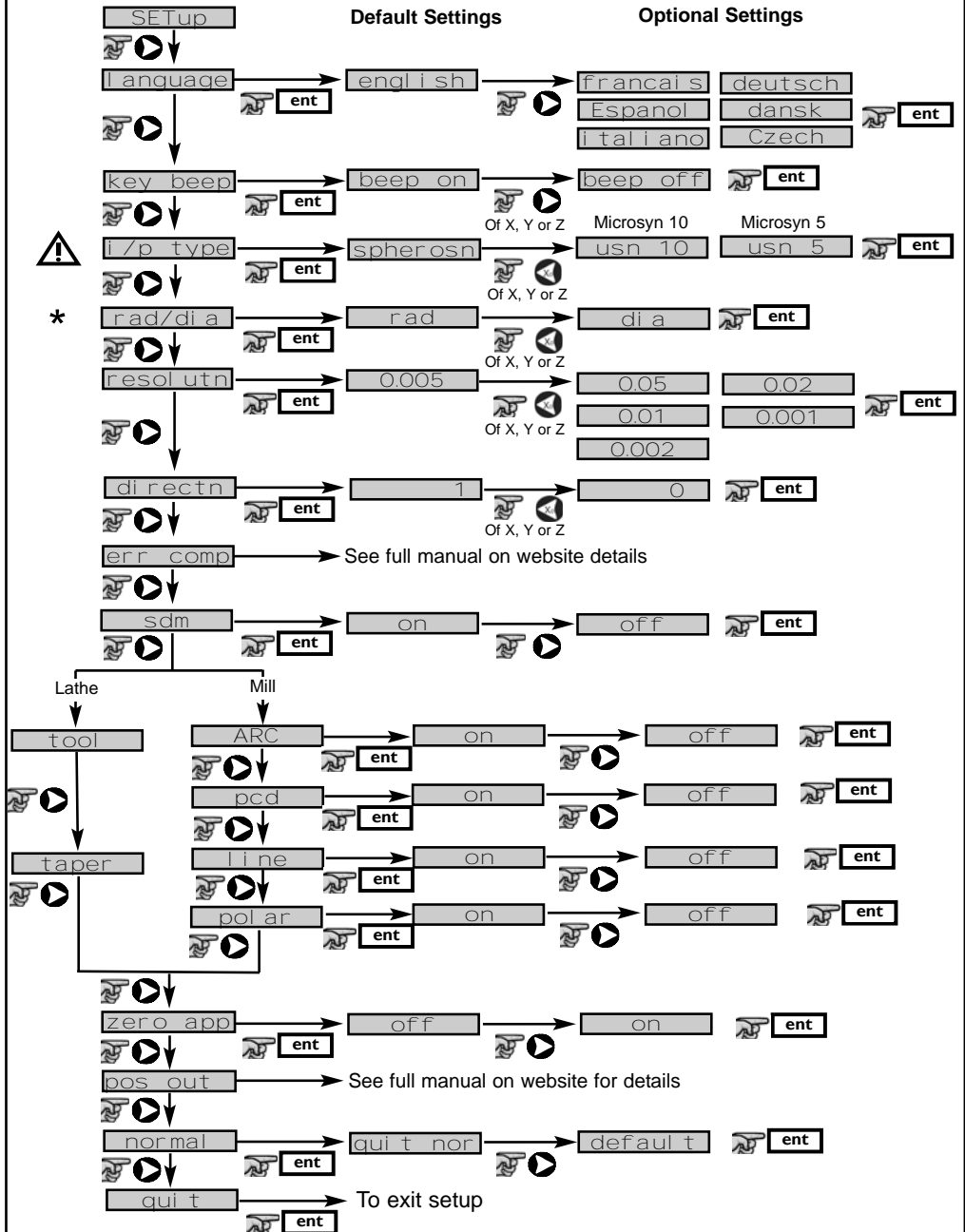
\*Refer to full user manual on website for more information on these functions

## Preset an Axis



## Setting up the Unit

### How to enter setup



⚠ Must be set to match encoder's on the machine \* Lathe version, X axis set to DIA as default