

# NEWALL DP700 MK2 Quick Start Guide

For the complete manual please download from:

<http://newall.com> , Click Technical Support to access the download page.

## ⚠ Warnings

The mains supply is connected into a switch mode power supply (separate from your DP700) via a detachable supply cord supplied. If another supply cord is used, it must have fitted a C5, 10A, EARTHED mains connector with a cord rated for at least 10A.

If a mains plug is not already fitted to the supply cord or is of the wrong type, then a suitable EARTHED plug should be used which complies with the relevant specifications for plugs and socket-outlets.

You can only use the DP700 with Newall Spherosyn and Microsyn analogue encoders.

Unit only to be serviced by Newall qualified personnel or authorised alternatives.

Turn off the power by disconnecting the power supply connector before you connect the encoder(s)

## Technical Specification

### Environmental

**Operating Temperature**  
-10°C to 50°C

**Storage Temperature**  
-20 to 70°C

### Electrical

EU Directive 73/23/EEC (Low Voltage Directive)  
BS EN 55022:1998 Class B  
BS EN 55024:1998

**Environmental Conditions** - IP40 (Stand Alone)  
IP54 (Panel Mount)

**Input to Power Supply Unit (Supplied)**  
100-240V (47-63Hz)

**Relative Humidity** - maximum 95% for temperature up to 31°C

**External switch-mode**  
Output voltage 15VDC

### Disposal

At the end of its life, you should dispose of the DP700 in a safe manner applicable to electronic goods.

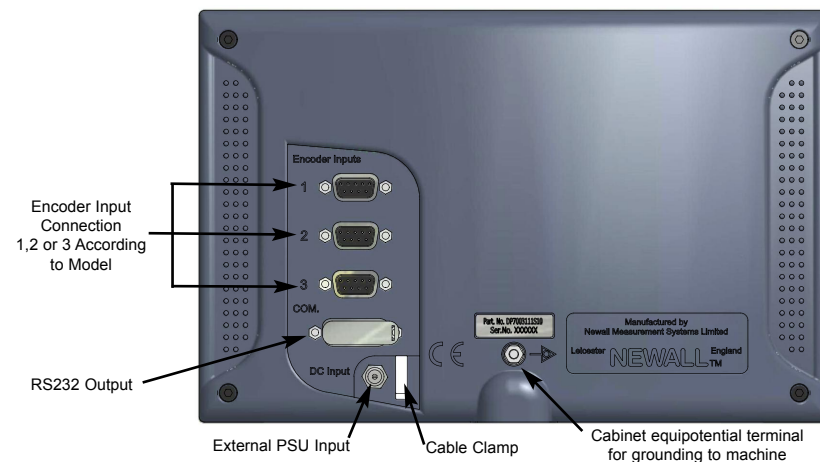
The case work is suitable for recycling. Please consult local regulations on disposal.

**Input Voltage to DP700**  
15-24VDC ±10%

Conforms to Low Voltage Directive

Note: Newall Measurements Systems reserves the right to change specifications without notice.

## Connections



## EUROPE

**Newall Measurement Systems Ltd.**  
Technology Gateway, Cornwall Road South  
Wigston, Leicester LE18 4XH  
United Kingdom  
Tel: +44 (0) 116 264 2730  
sales@newall.co.uk  
www.newall.co.uk

## AMERICAS

**Newall Electronics Inc.**  
USA  
Tel: +1 614 771 0213

## CHINA & TAIWAN

**Sensata Technologies China Co., Ltd.**  
People's Republic of China  
Tel: +86 12 2306 1500

## SINGAPORE AND KOREA

**Sensata Technologies Co., Ltd.**  
Singapore  
Tel: +65 647 86 867

## JAPAN

**Sensata Technologies Japan Ltd.**  
Japan  
Tel: +81 45 277 7120

For more information about this or any of our products please contact us at [sales@newall.com](mailto:sales@newall.com) or visit [www.newall.com](http://www.newall.com)

# Understanding the Keypad



- Axis Selection Key
- Digifind / Reference
- Switches between Zero and Axis Preset modes
- Switches between Absolute and Incremental modes
- Switches between Inch and mm display
- Information selection (scrolls through options on Message display)
- Function Menu Key
- Function Navigation Keys
- Sleep key
- Numeric Keys
- Enter Key
- Clear Numeric Entry
- Center Find
- Undo Key

## Zero an Axis in Zero Mode

Ensure DP700 is in Zero Mode of Axis 1, 2 or 3

## Zero an Axis in Set Mode

Ensure DP700 is in Set Mode of Axis 1, 2 or 3

## Preset an Axis

Ensure DP700 is in Set Mode = -145.230

## ENTERING SETUP

Until display shows FUNCS SETUP display shows SETUP CODEP

# SETTING UP THE UNIT

