

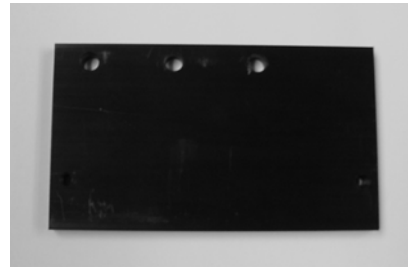
NEWALL

Kit Contents Knee Bracket Kit Part # KBK01

This kit mounts one Spherosyn / SHG Series Reader Head.



294-22530
Angle - 3x3" (1)



294-22450
Flat Plate (1)



294-22520
Angle - 2.5"x2.5"
(1)

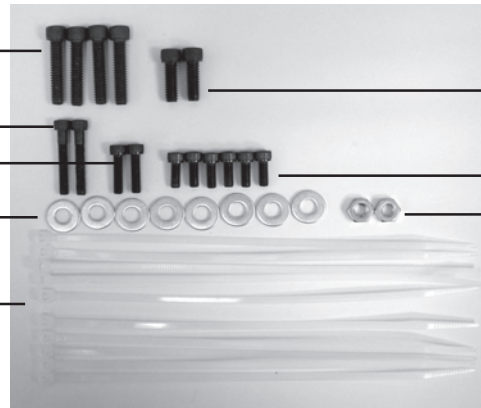
1/4-20 x 1 1/4" Socket Head Screw (4)

10-32 x 1 1/4" Socket Head Screw (2)

10-32 x 3/4" Socket Head Screw (2)

1/4" Washers (8)

Cable Ties (10)



1/4-20 x 3/4" Socket Head Screw (2)

10-32 x 1/2" Socket Head Screw (6)

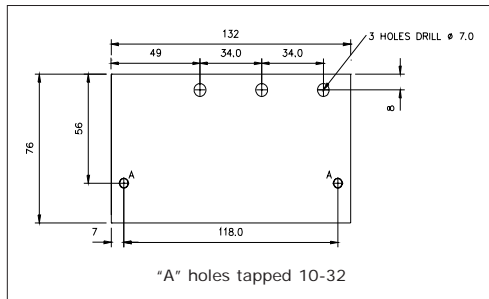
1/4-20 Nuts (2)

Some modification of bracketry may be necessary during installation.

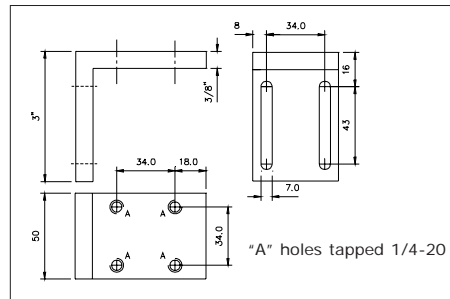
NEWALL

Bracket Drawings Knee Bracket Kit Part # KBK01

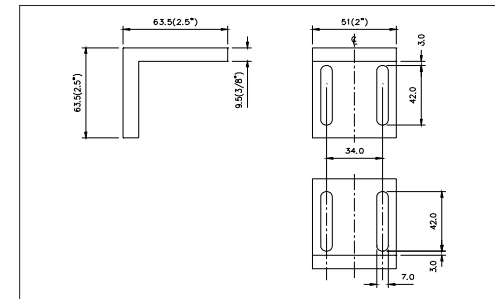
Part # 294-22450



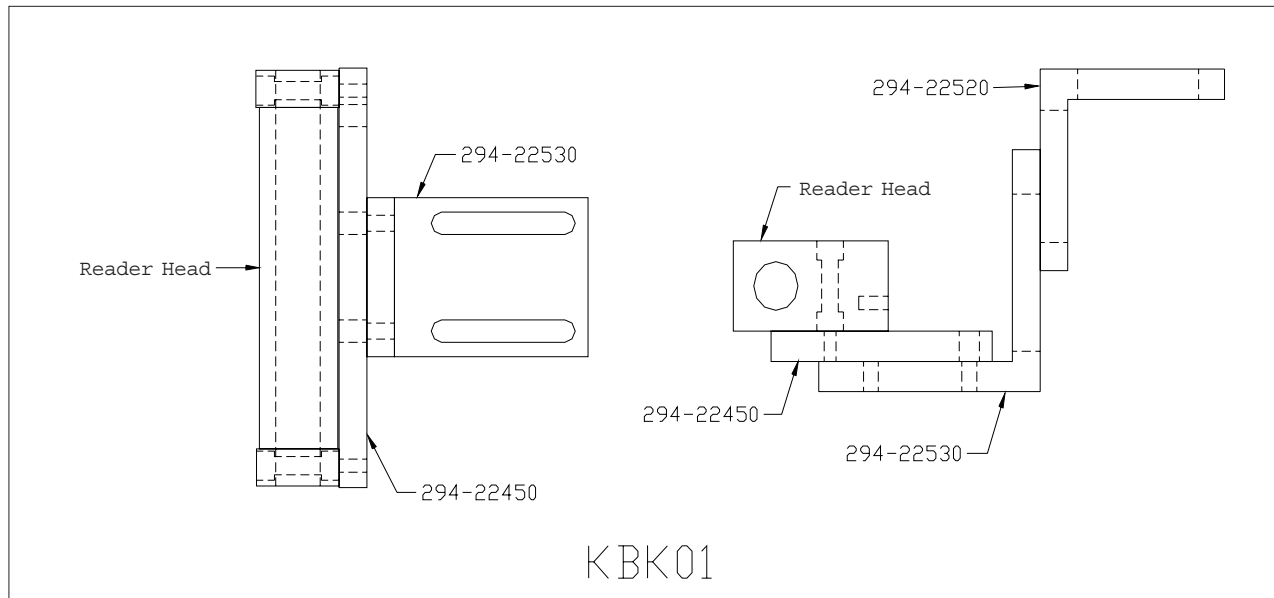
Part # 294-22530



Part # 294-22520



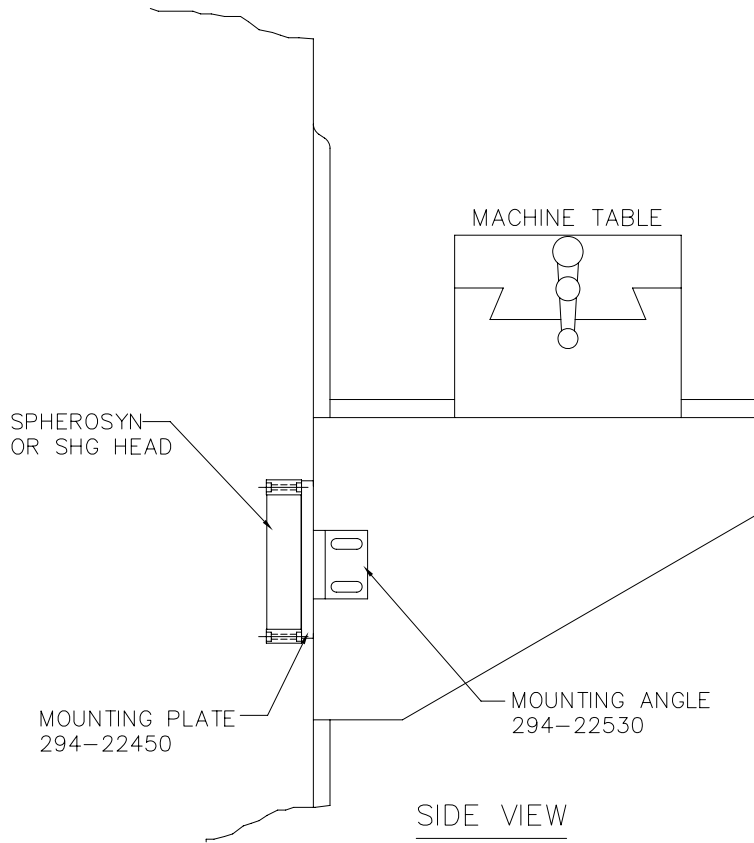
Installation Drawing



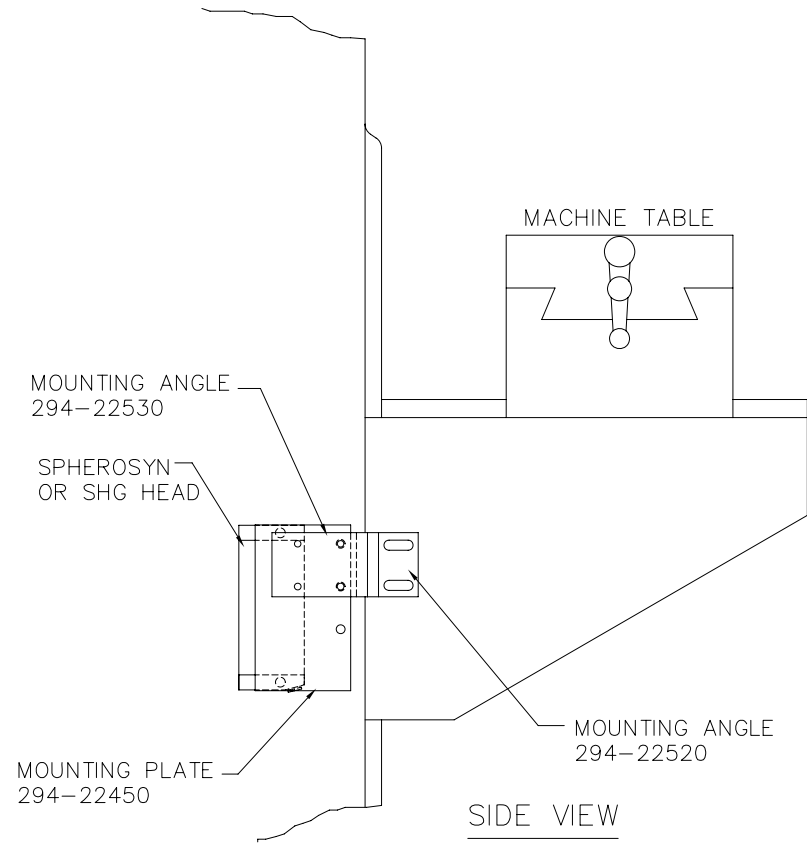
DRAWING NUMBER 316-82420 REV ISS 0


DO NOT SCALE -  THIRD ANGLE PROJECTION IF IN DOUBT ASK

MOUNTING OPTION 1



MOUNTING OPTION 2



				TITLE. <i>KNEE BRACKET KIT INSTALLATION DRAWING</i>		MATERIAL FINISH.		SCALE		UNLESS OTHERWISE TOLERANCES:- 0 DECIMAL PLACES ±0.5 STATED:- 1 DECIMAL PLACE ±0.2 DIMENSIONS ARE IN M.M. 2 DECIMAL PLACES ±0.1 ANGULAR ±1°	
				DRAWN C.WORMALL 3-5-05				SHEET 1 OF 1		DRAWING NUMBER 316-82420 REV ISS 0	
REV.ISS DATE C.N.No. ALTERATION				CHECKED							
				APPROVED		Leicester					