

NEWALL

Kit Contents Lathe Bracket Kit Part # LBK01

This kit mounts two Spherosyn / SHG Series Reader Heads.



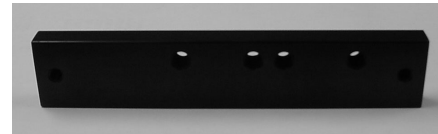
294-23010
Single
End Mount (1)



294-22510
Flat Plate
Double Slotted (1)



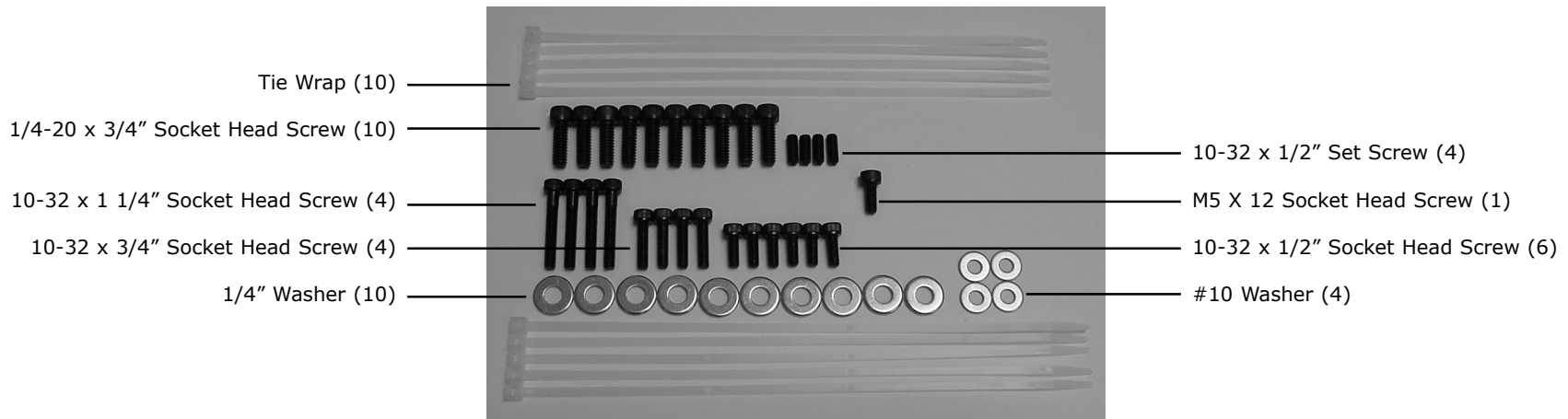
294-22450
Flat Plate (1)



294-22460
Flat Bar (1)



294-22520
Angle - 2x2" (1)



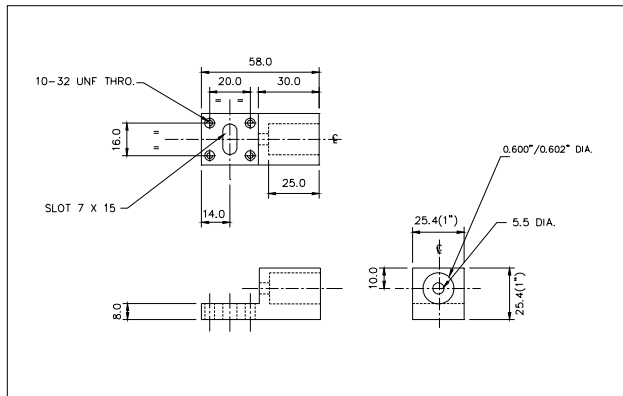
Some modification of bracketry may be necessary during installation.

NEWALL

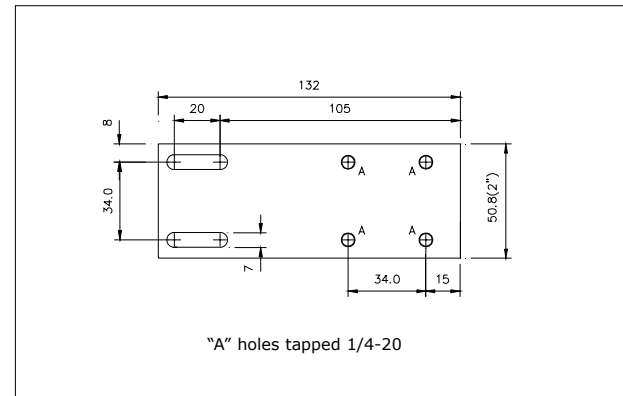
Kit Contents Lathe Bracket Kit Part # LBK01

This kit mounts two Spherosyn / SHG Series Reader Heads.

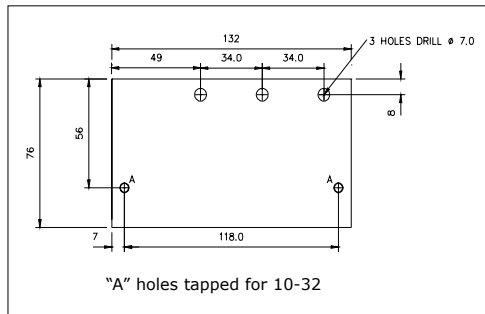
Part # 294-23010



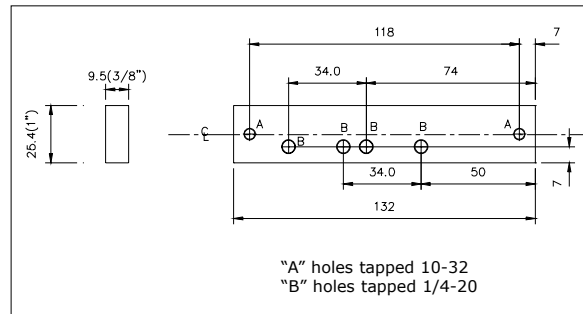
Part # 294-22510



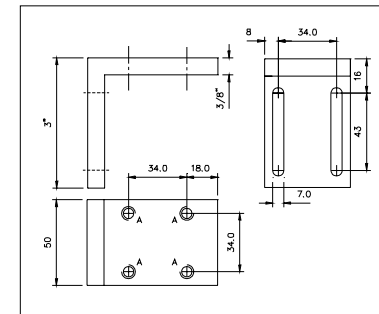
Part # 294-22450



Part # 294-22460



Part # 294-22520

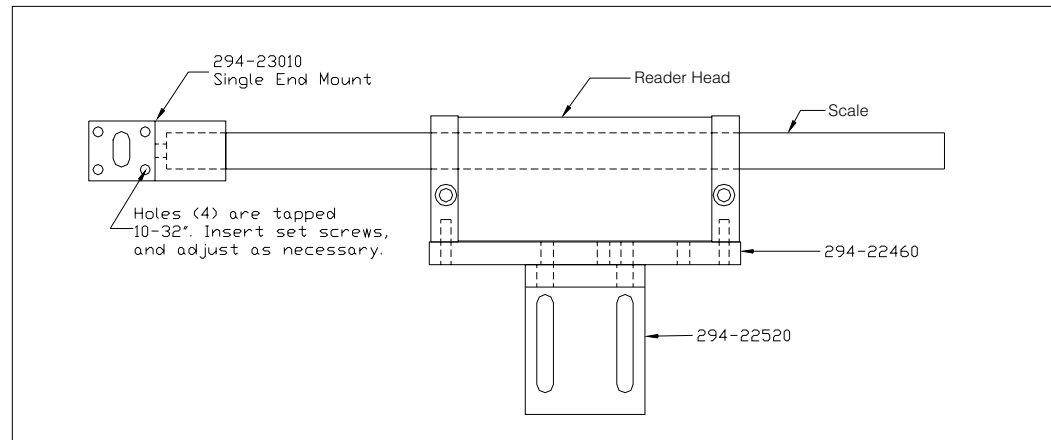


NEWALL

Installation Drawings Lathe Bracket Kit Part # LBK01

This kit mounts two Spherosyns / SHG Series Reader Heads.

Cross Slide (X-axis)



Longitudinal Axis (Z-axis)

