

# NEWALL

## Kit Contents Universal Bracket Kit Part # UBK03

This kit mounts two Microsyn / MHG Series Reader Heads.



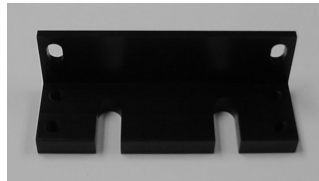
294-22530  
Angle - 3x3" (1)



294-22510  
Flat Plate  
Double Slotted (1)



294-35280  
Large Flat Plate (1)



294-35260  
Micro Angle (1)



294-35270  
Micro Plate (1)



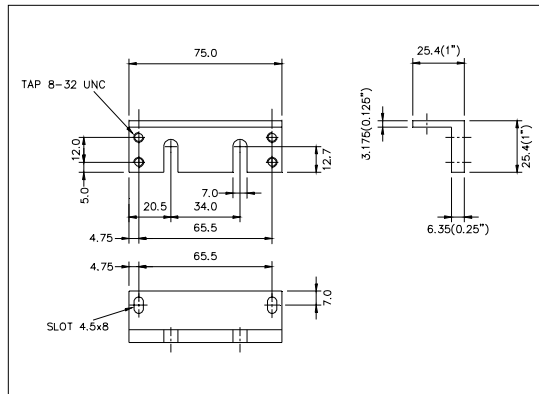
*Some modification of bracketry may be necessary during installation.*

# NEWALL

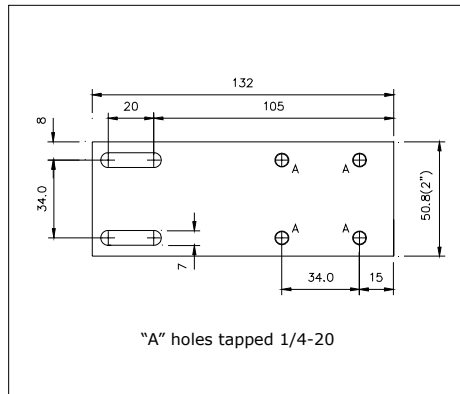
## Bracket Drawings Universal Bracket Kit Part # UBK03

This kit mounts two Microsyn / MHG Series Reader Heads.

Part # 294-35260

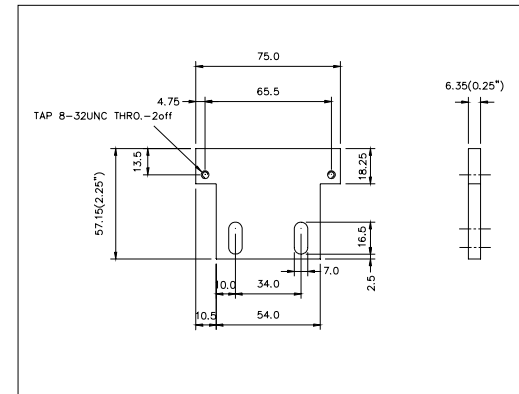


Part # 294-22510

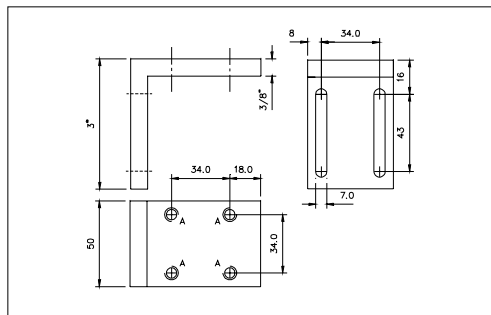


"A" holes tapped 1/4-20

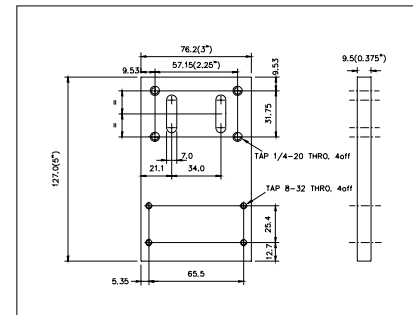
Part # 294-35270



Part # 294-22530



Part # 294-35280



# NEWALL

## Installation Drawings Universal Bracket Kit Part # UBK03

This kit mounts two Microsyn / MHG Series Reader Heads.

